



80 kg



N.2 Soft damper stoppers
N.2 Fermi ammortizzati



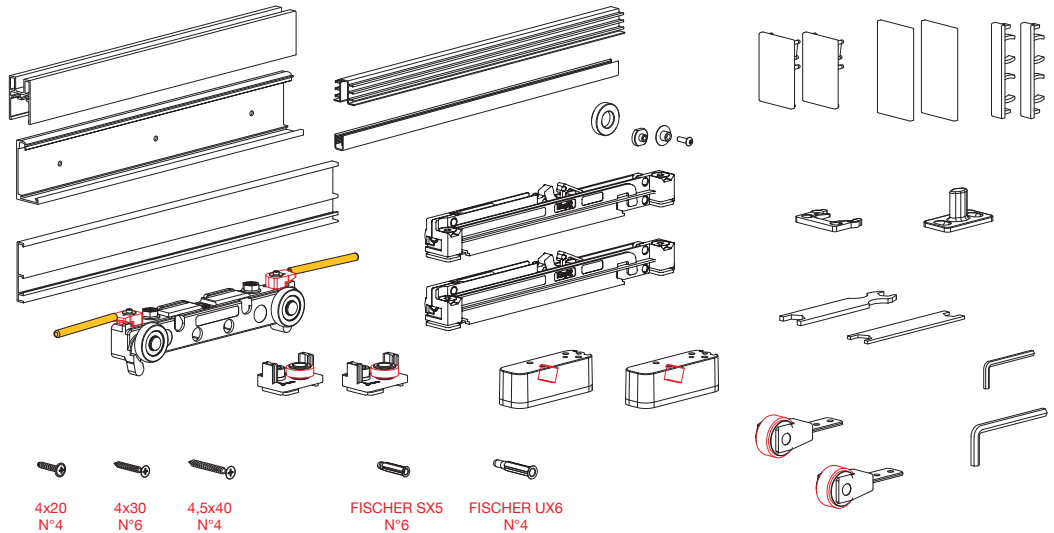
Customizable door width
Larghezza porta personalizzabile



Patented system
Sistema brevettato



Brushed Anodized Silver
Argento Spazzolato

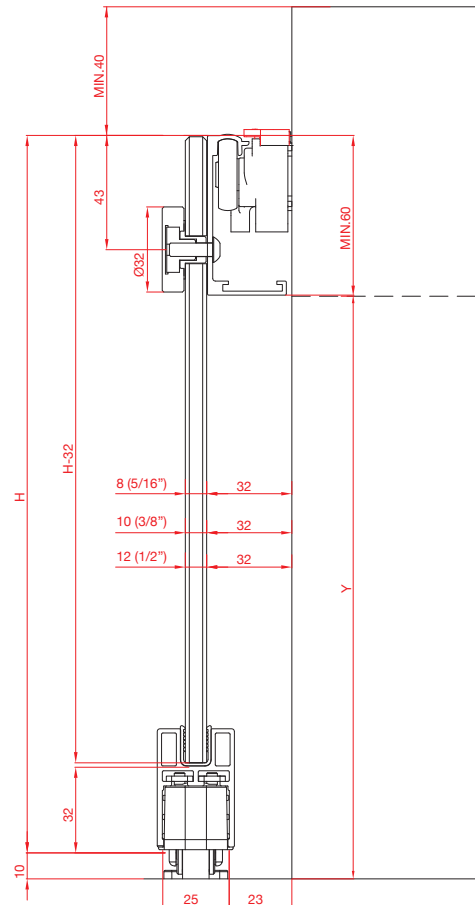
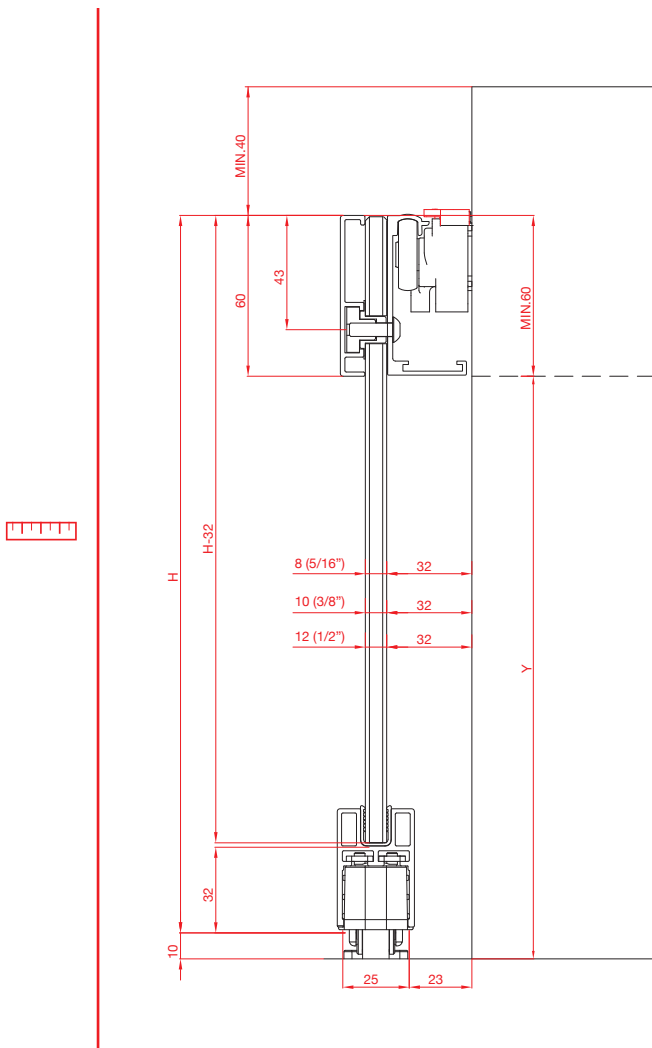


4x20 N°4 4x30 N°6 4,5x40 N°4

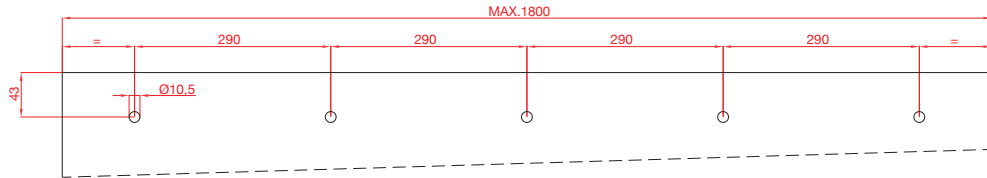
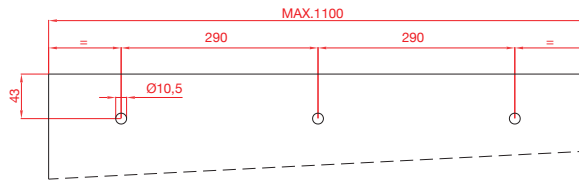
FISCHER SX5 N°6 FISCHER UX6 N°4

OLD CODE	NEW CODE			
MAGIC2/1100/V/08	K.0041.1.02	8 mm (5/16")	1100 mm	6x
MAGIC2/1100/V/10	K.0041.2.02	10 mm (3/8")		6x
MAGIC2/1100/V/12	K.0041.3.02	12 mm (1/2")		6x
MAGIC2/1800/V/8	K.0042.1.02	8 mm (5/16")	1800 mm	4x
MAGIC2/1800/V/10	K.0042.2.02	10 mm (3/8")		4x
MAGIC2/1800/V/12	K.0042.3.02	12 mm (1/2")		4x

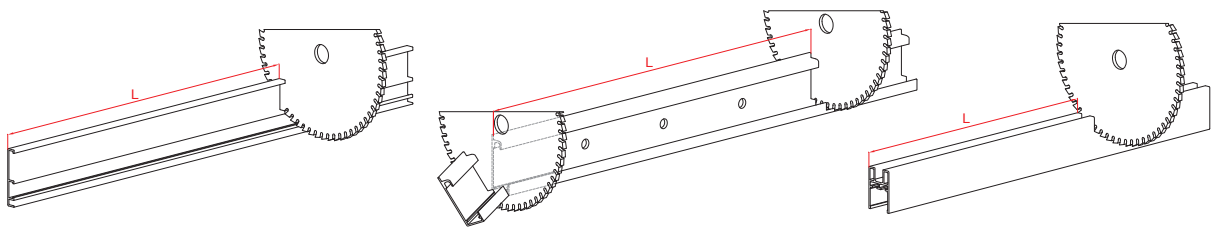
MEASUREMENTS DESCRIPTION / DESCRIZIONE MISURE



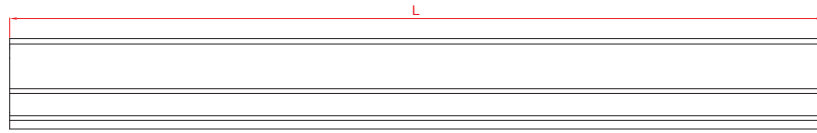
MILLING DESCRIPTION / DESCRIZIONE DELLE LAVORAZIONI



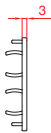
PROFILES CUTTING MEASUREMENTS / MISURE DI TAGLIO DEI PROFILI



ART. 2199



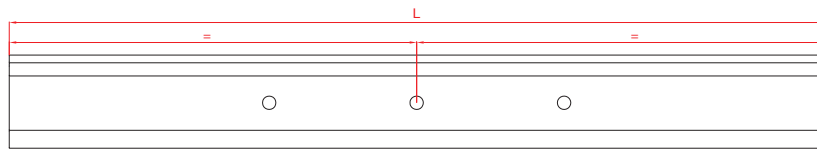
ART. 2198



ART. 2199



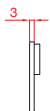
ART. 2851



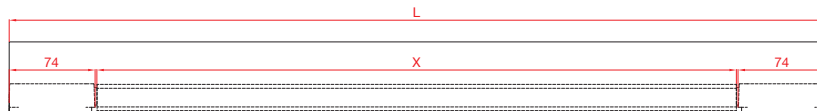
ART. 2850



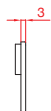
ART. 2851



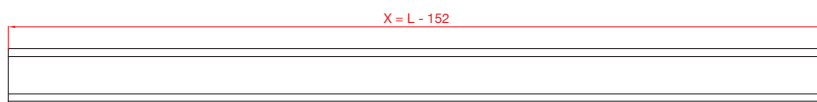
ART. 2866



ART. 2863 - ART. 2862 - ART. 2861



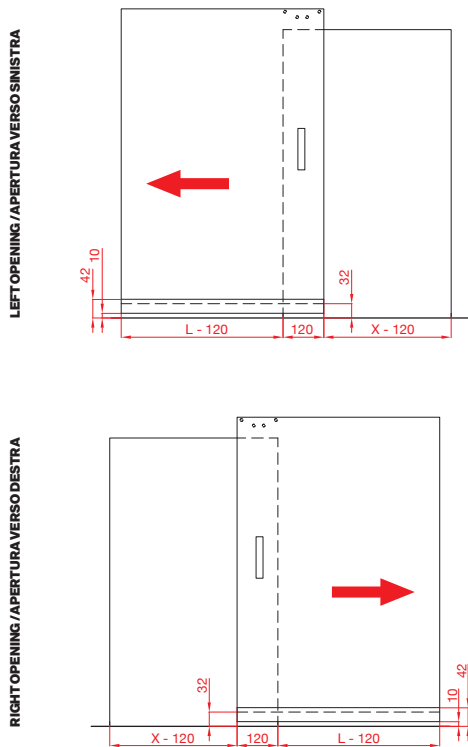
ART. 2866



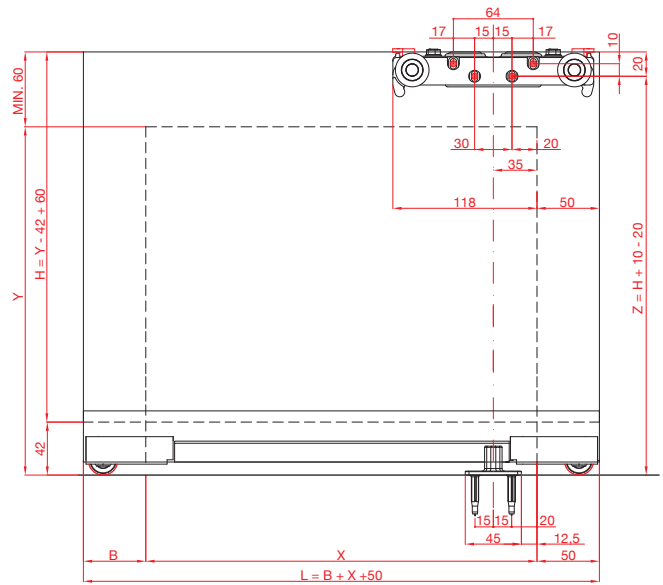
ART. 2860



ACCESSORIES PLACEMENT (STANDARD POSITION) / POSIZIONAMENTO DEGLI ACCESSORI (POSIZIONE STANDARD)



B=0mm (Min.)
B=50mm (Suggested/Suggerito)



**MAGIC2/1100/V/08 (K.0041.1.02) - MAGIC2/1100/V/10 (K.0041.2.02) -
MAGIC2/1100/V/12 (K.0041.3.02)**

B=0
X= MIN. 800 (L=850)
X= MAX. 1050 (L=1100)

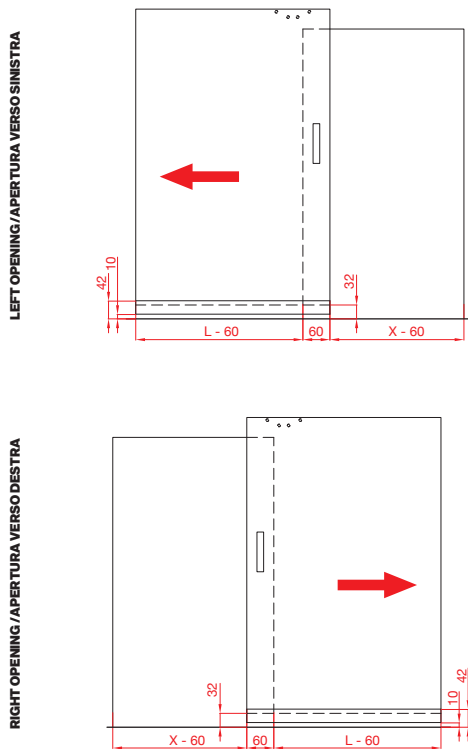
B=50
X= MIN. 800 (L=900)
X= MAX. 1000 (L=1100)

**MAGIC2/1800/V/8 (K.0042.1.02) - MAGIC2/1800/V/10 (K.0042.2.02) -
MAGIC2/1800/V/12 (K.0042.3.02)**

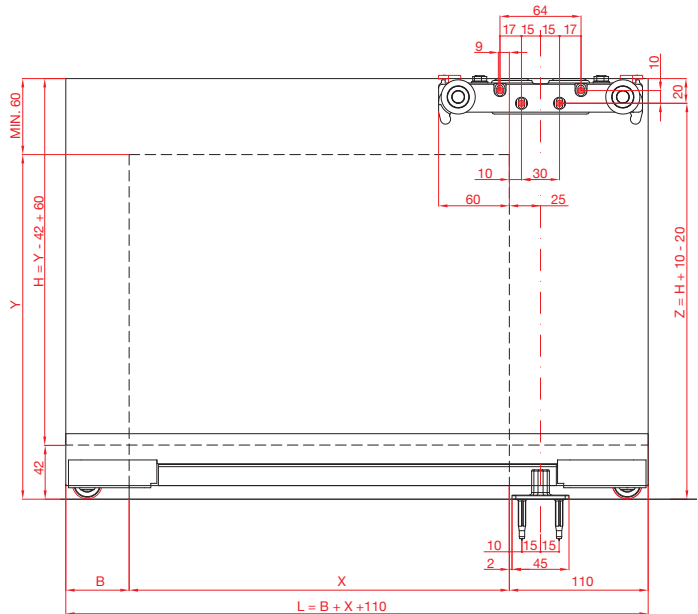
B=0
X= MIN. 800 (L=850)
X= MAX. 1750 (L=1800)

B=50
X= MIN. 800 (L=900)
X= MAX. 1700 (L=1800)

ACCESSORIES PLACEMENT (INTERMEDIATE POSITION) / POSIZIONAMENTO DEGLI ACCESSORI (POSIZIONE INTERMEDIA)



B=0mm (Min.)
B=50mm (Suggested/Suggerito)



**MAGIC2/1100/V/08 (K.0041.1.02) - MAGIC2/1100/V/10 (K.0041.2.02) -
MAGIC2/1100/V/12 (K.0041.3.02)**

B=0
X= MIN. 740 (L=850)
X= MAX. 990 (L=1100)

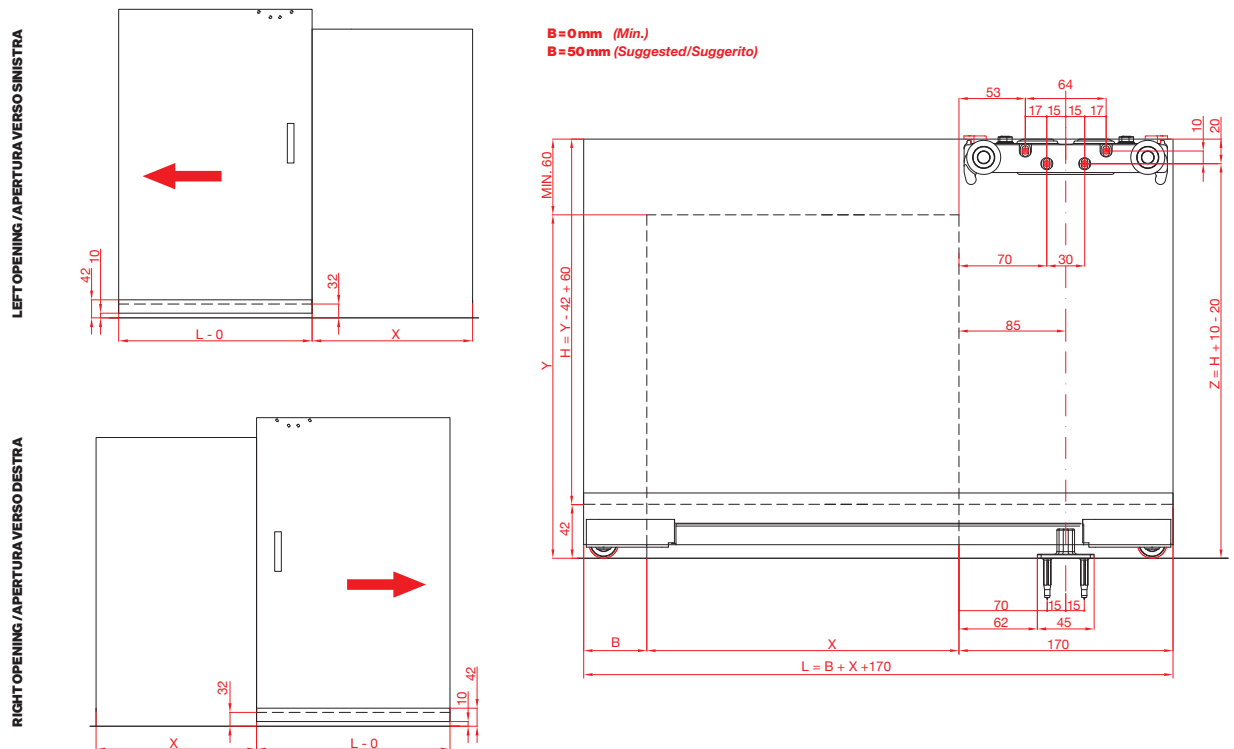
B=50
X= MIN. 740 (L=900)
X= MAX. 940 (L=1100)

**MAGIC2/1800/V/8 (K.0042.1.02) - MAGIC2/1800/V/10 (K.0042.2.02) -
MAGIC2/1800/V/12 (K.0042.3.02)**

B=0
X= MIN. 740 (L=850)
X= MAX. 1690 (L=1800)

B=50
X= MIN. 740 (L=900)
X= MAX. 1640 (L=1800)

ACCESSORIES PLACEMENT (TOTAL OPENING POSITION) / POSIZIONAMENTO DEGLI ACCESSORI (POSIZIONE APERTURA TOTALE)



B=0mm (Min.)
B=50mm (Suggested/Suggerito)

**MAGIC2/1100/V/08 (K.0041.1.02) - MAGIC2/1100/V/10 (K.0041.2.02) -
MAGIC2/1100/V/12 (K.0041.3.02)**

B=0
X= MIN. 680 (L=850)
X= MAX. 930 (L=1100)

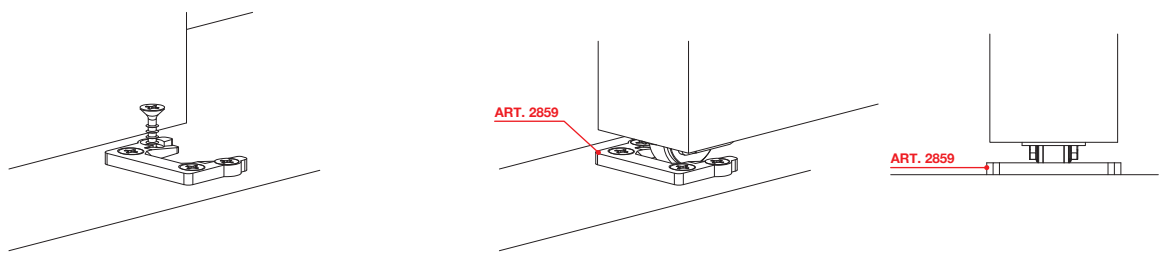
B=50
X= MIN. 680 (L=900)
X= MAX. 880 (L=1100)

**MAGIC2/1800/V/8 (K.0042.1.02) - MAGIC2/1800/V/10 (K.0042.2.02) -
MAGIC2/1800/V/12 (K.0042.3.02)**

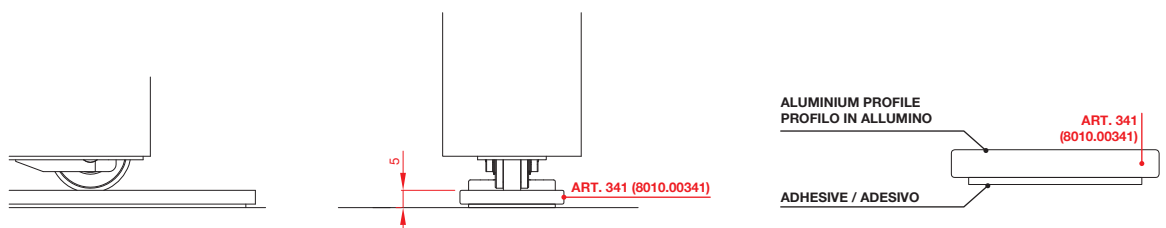
B=0
X= MIN. 680 (L=850)
X= MAX. 1630 (L=1800)

B=50
X= MIN. 680 (L=900)
X= MAX. 1580 (L=1800)

ART. 2859 - END STOPPER / FINE CORSA



**ALUMINIUM TRACK FOR IRREGULAR FLOOR
PROFILO IN ALLUMINIO PER PAVIMENTAZIONE IRREGOLARE**



ART. 341
8 01 0 .00341